

INTRODUCTION:

Adam Tech IEC & Mini IEC Series AC Inlets and Outlets are primary power receptacles designed, manufactured, tested and approved to UL, CSA, VDE and other applicable international specifications including IEC-60320 and CEE-22. Adam Tech offers a wide variety of body styles, shapes and orientations to accommodate most class I & II applications with two or three blade contacts in both IEC and Mini-IEC configurations. Mounting choices include screw holes and snap-in versions and four termination styles. Options of ganged ports or receptacle with integral fuse holder are also available.

FEATURES:

IEC & Mini-IEC types
 IEC-60320, CEE-22 Compliant
 UL, CSA and VDE approved
 Multitude of Body Styles
 Choice of terminations
 Option of Integral Fuse Holder

MATING CONNECTORS:

Adam Tech PC series power cords and all standard international IEC 60320 power supply cords.

SPECIFICATIONS:

Material:

Insulator: Polycarbonate or Nylon 66, glass filled, rated UL94V-0
 Insulator Color: Black
 Contacts: Phosphor Bronze or Brass

Plating:

Nickel over copper underplate. (Solder terminals: Tin over copper underplate)

Electrical:

Operating Voltage: 250V AC
 Current Rating: IEC - UL & CSA: 15 Amps Max,
 VDE: 10 Amps Max.
 Mini IEC - UL, CSA & VDE 2.5 Amps Max.

Insulation Resistance: 100 MΩ Min. @ 500V DC
 Dielectric Withstanding Voltage: 2000V AC for 1 Minute

Temperature Rating:

Operation Temperature: -25°C ~ +70°C

PACKAGING:

Anti-ESD plastic trays

SAFETY AGENCY APPROVALS:

UL Recognized File Nos. E224050, E224051, E224052
 CSA Certified File No. LR226373



DB12



ORDERING INFORMATION

IEC	A	1	150
SERIES INDICATOR IEC = International inlet/outlet			
	TERMINALS 1 = .187" Quick-connect terminals 2 = .250" Quick-connect terminals 3 = Solder terminals .157" [4.0mm] 4 = Right Angle PCB mount 5 = Solder Terminals .098" [2.5mm]		PANEL THICKNESS (for body styles C, D & J only) Blank = Universal Snap 080 = 0.8mm Panel 120 = 1.2mm Panel 150 = 1.5mm Panel 200 = 2.0mm Panel 300 = 3.0mm Panel

BODY STYLE

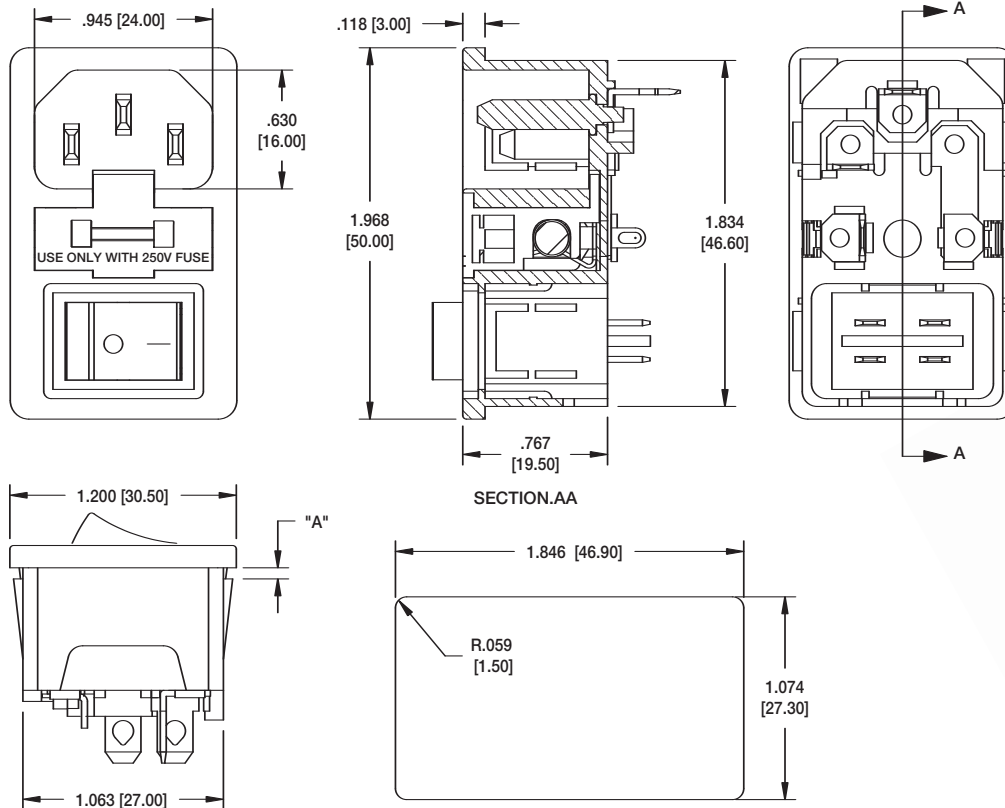
- A = Male Inlet, Screw-on panel mount
- B = Female Outlet, Screw-on panel mount
- C = Male Inlet, Snap-in panel mount
- D = Female Outlet, Snap-in panel mount
- E = Male Inlet, Right Angle PC board mount with mounting flange (Specify EW, EX, EY or EZ)
- F = Male Inlet, Screw on panel mount with 5 x 20mm fuse holder
- G = Male Inlet, Snap-in panel mount with 5 x 20mm fuse holder
- HS = Inlet/Outlet, snap-in panel mount
- HR = Inlet/outlet, snap-in panel mount, right angle PCB mount
- J = Male inlet, right angle PCB & tail with snap-in panel mounting
- NA = Mini-IEC right angle, snap-in
- NB = Mini-IEC right angle, slide-in
- NB-A = Mini-IEC right angle, slide-in with pegs
- NC = Mini-IEC right angle, with flush flange
- NC-A = Mini-IEC right angle, with extended face
- ND = Mini-IEC right angle, with enclosed body
- NF = Mini-IEC right angle, polarized with flange
- NH = Mini-IEC right angle, with ground pin
- NH-A = Mini-IEC right angle, flange mount with ground pin
- GS = Fused inlet with switch snap in panel mount
- FS = Fused inlet with switch screw on panel mount

OPTIONS:

- K = Keyed for 120° C (Body Styles A, C, E & J)
- M = Female outlet, 20 AMP, Flanged
- N = Male inlet, 20 AMP, Snap-In

IEC-GS

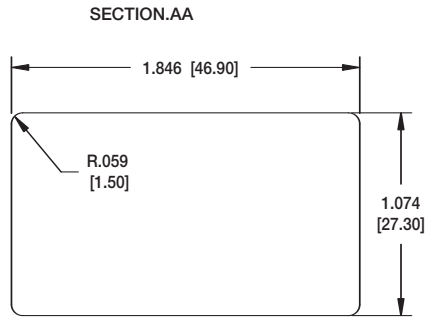
FUSED INLET WITH SWITCH,
SNAP IN PANEL MOUNT



PART NUMBER	DIM "A"
IEC-GS-1-100	.039 [1.00]
IEC-GS-1-150	.059 [1.50]
IEC-GS-1-200	.079 [2.00]



IEC-GS-1-100



Recommended Panel Cut-Out

IEC-FS

FUSED INLET WITH SWITCH,
SCREW ON PANEL MOUNT

